

VIPER Video Surveillance Video – Control – Power Balun VP-7000



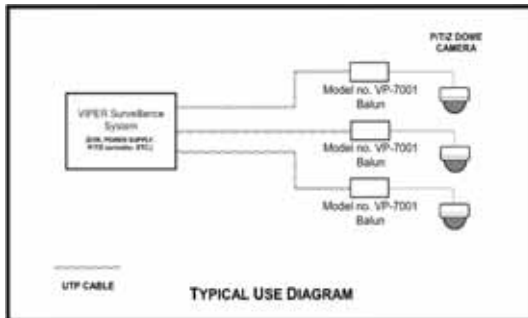
DESCRIPTION

The VIPER Balun VP-7000 Series combines video, control and power into a single UTP cable where the video signals are transported up to 4,600ft./ 1,400 meters when connected with the VIPER Surveillance system.

The VIPER Balun supports RS170, NTSC, PAL, SECAM, CCIR video format.

FEATURES AND BENEFITS

- Passive transmission device with video, control and power over single UTP cable
- Greater stability with wider bandwidth
- Save time and money for CCTV camera installations when using UTP cable
- Aluminum cases
- Designed in USA.



APPLICATIONS

Video Surveillance Systems

- P/T/Z Control Signals
- All baseband video applications

Specifications

Bandwidth	Flat to 60MHz
Impedance	75 Ohm Unbalanced – BNC Connector side
	100 Ohm Balanced – RJ45 Connector side
Crosstalk	>50dB
Connectors	MBNC with “x” inches P/T/Z cable to 6.00 inch RJ45
Media	Category5 or better
Dimensions	26mm x 26mm + cable length
Net Weight	0.1 kg

Product Ordering Information

VP-7001	Video + Control + Power, 7 inch P/T/Z cable with MBNC to 6.00 in. UTP RJ45 plug, pins 1,2 (video), pins 3,6 (control), pins 4,5 & 7,8 (power)
VP-7002	Video + Control + Power, 12 inch P/T/Z cable with MBNC to 6.00 in. UTP RJ45 plug, pins 1,2 (video), pins 3,6 (control), pins 4,5 & 7,8 (power)
VP-7003	Video + Control + Power, 18 inch P/T/Z cable with MBNC to 6.00 in. UTP RJ45 plug, pins 1,2 (video), pins 3,6 (control), pins 4,5 & 7,8 (power)
VP-7004	Video + Control + Power, 36 inch P/T/Z cable with MBNC to 6.00 in. UTP RJ45 plug, pins 1,2 (video), pins 3,6 (control), pins 4,5 & 7,8 (power)